



METER

HYDROS 11[®]

ELECTRICAL CONDUCTIVITY AND TEMPERATURE



HYDROS 11 QUICK START

Preparation

Confirm that HYDROS 11 components are intact. Gather the necessary pipe fittings and glue or suspension setup for the desired installation type as well as the necessary items for the data acquisition system installation.

Read the full HYDROS 11 [User Manual](https://meter.ly/hydros11-um) at meter.ly/hydros11-um. All products have a 30-day satisfaction guarantee.

Before going to the field, connect the HYDROS 11 to the data acquisition system and ensure proper communication.

NOTE: Do not remove the HYDROS 11 cap. This will cause the sensor to read abnormally.



HYDROS 11 [User Manual](https://metergroup.com) at metergroup.com

Compatibility

HYDROS 11 sensors are fully integrated into the METER system of plug-and-play sensors used with both the METER AROYA System and software for horticulture and the METER ZENTRA System and software for science and agriculture.

Refer to the [AROYA Hardware Quick Start](#) and the [AROYA User Manual](#) at aroya.io/support for specific details on how to use the HYDROS 11 with the AROYA System.

Refer to the ZENTRA Setup Support at meter.ly/zentracloud for specific details on how to use the HYDROS 11 with the ZENTRA System.

Information for use with non-METER data acquisition systems can be found in the HYDROS 11 [Integrator Guide](#) at metergroup.com.

ATTENTION

For best results, use the latest versions of METER software and firmware for the computer or mobile device, products, and sensors. Please use the software Help menu to find updates. Consult the sensor user manual for more troubleshooting tips.

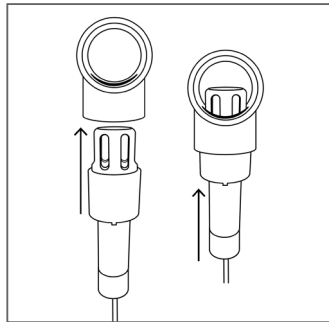
Installation

1. Pipe Installation

Apply PVC glue to the outside of the sensor end cap. Follow the glue manufacturer's instructions.

DO NOT apply glue to the cap slots.

Slide the HYDROS 11 into a 1-inc Tee socket pipe fitting. Ensure the end cap alignment notch is in the direction of flow. Orient the cable end down or to the side.



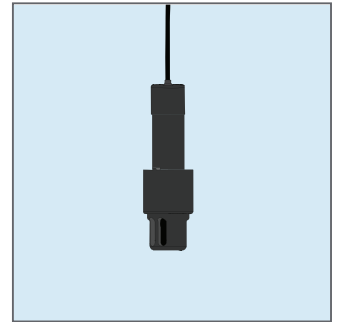
Secure and protect cables with PVC casing or flexible conduit.

2. Install Sensor: Tank or Water Body Installation

Suspend the sensor in the tank away from the sides of the tank.

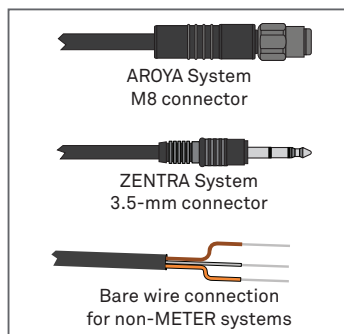
In a water body, anchor the sensor with a stake or post away from banks, sides of the water body.

Secure and protect cables with PVC casing or flexible conduit.



3. Check Sensor Operation

Connect the sensor to the data acquisition device and check sensor operation.



4. Configure Software

Use the applicable software to apply appropriate settings to the sensors plugged into the data acquisition device.

Review data and check values.



