

Document Title: <p style="text-align: center;">Description, TEROS BIT Installation Sheet</p>		Part # <p style="text-align: center;">18555</p>	
		Release Date: <p style="text-align: center;">8.2023</p>	
Rev	Description	Revision By	Date
00	Initial Release	LAJ	8.25.2023
01	DCO 23171 Redo/update figures for overload protector addition	EMR	8.2024

Production Location: http://publications.metergroup.com/Manuals/18555_TEROS_BIT_IS_Print.pdf

Working Path: [SharePoint\Sites\Product Number Library\18500-18599\18555](#)

Dimensions: 8.5" wide x 11" tall

Colors: CMYK/Full color 4/4

Printer Type: In-house printing or at approved vendor

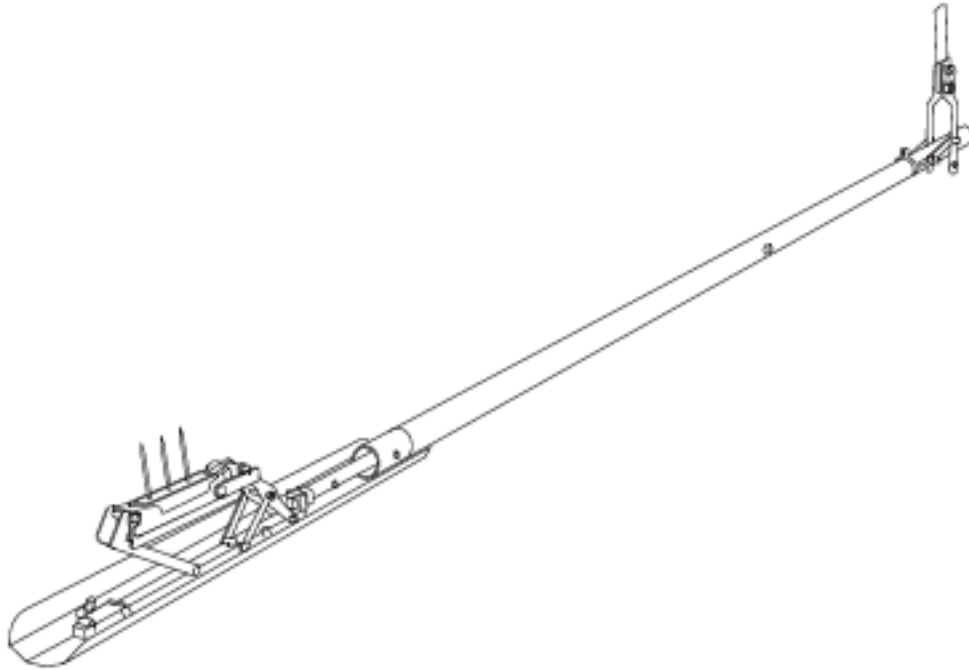
Material: PN 10223 Cardstock (8.5 x 11, 80#) Color Copy Digital

Finish: PN 16417—Lamination pouch and 10074—Spiral Bound



TEROS BIT

BOREHOLE INSTALLATION TOOL



METER Group, Inc.
2385 NE Hopkins Court, Pullman, WA 99163
T +1.800.332.2756 F +1.800.332.8188
E info@metergroup.com W metergroup.com