

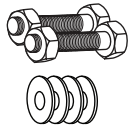


AROYA SCALE CART INSTRUCTION SHEET

18442-01
10.2021

METER

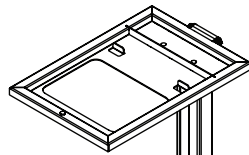
A—Screws (x2)
nuts (x2)
washers (x4)



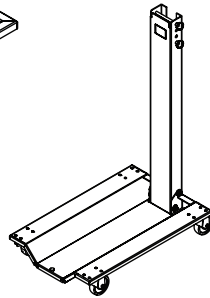
D—Bolt and pin (x4)



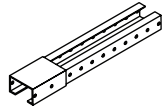
E, F—Top neck, Tabletop



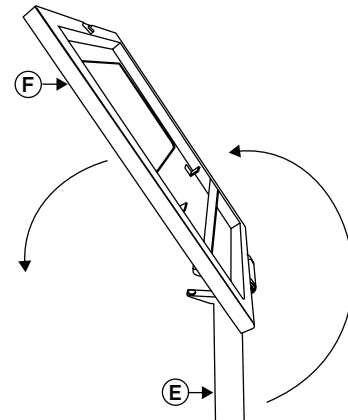
C—Bottom neck



G—Neck extension



5. Rotate the table top (F) over so it provides a flat surface for the portable scale.



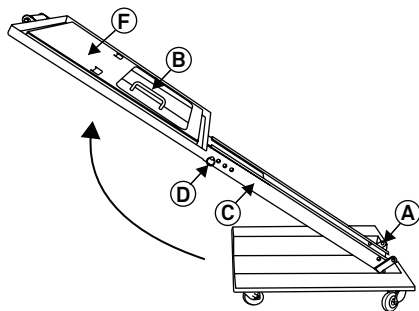
Preparation

The AROYA H512 Scale Cart is designed to be used with the AROYA H510 Portable Scale to hang and weigh individual plants.

Remove all contents from the box and confirm that the pieces shown above have arrived intact. A 9/16-in wrench is needed to assemble the cart.

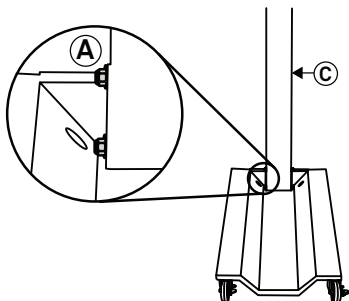
Installation

1. With a 9/16-in wrench, loosen and remove the top nut, washer, and bolt (A) at the base of the bottom neck (C).
2. Grasp the top neck handle (B) and lift the bottom neck (C), top neck (E), and tabletop (F) up to an upright position.

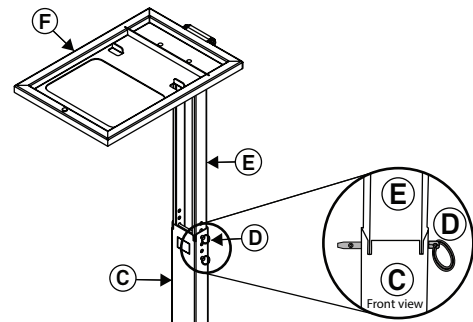


3. Reinsert the bolt and washer (A) at the base of the bottom neck (C).
4. Screw the nut onto the bolt (A) and hand tighten.

NOTE: Do not overtighten before raising the neck or the neck will not raise up easily.



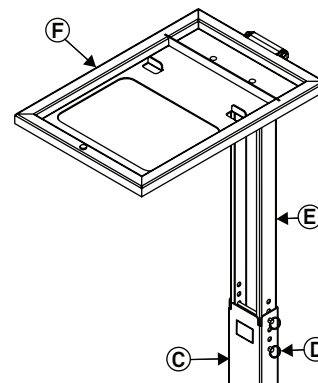
6. Remove the neck pins (D) located where the bottom neck (C) and top neck (E) overlap and set aside.



7. Adjust the top neck (E) to the desired height by lifting up on the top neck (E).

The top neck (E) fits and slides up and down inside the bottom neck (C) to change the tabletop (F) height to a maximum height of 5.5 ft.

8. With the top neck (E) holes aligned with the bottom neck (C) holes at the desired height, insert the neck pins (D) to secure.



The scale cart is ready for the scale to be placed on the tabletop (F).

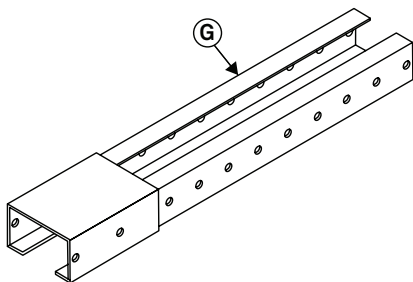


METER

Neck Extension Installation

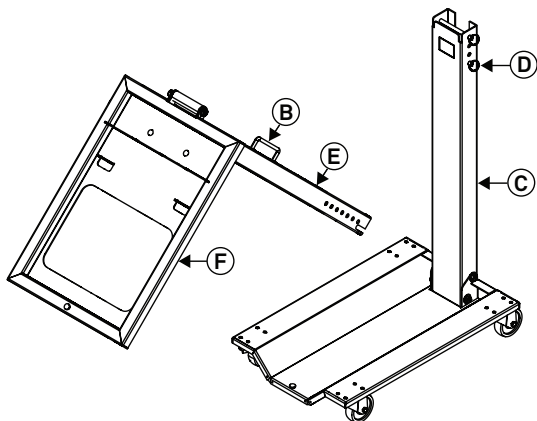
If a height of more than 5.5 ft is required, follow [step 9](#) through [step 15](#) to install a neck extension (G).

The neck extension (G) raises the tabletop (F) to a maximum height of 6.5 ft (measured from the bottom of the tabletop (F) to the top of the cart portion of the bottom neck (C)).



- Remove the two neck pins (D) where the top neck (E) and bottom neck (C) are joined.
- Grasp the neck handle (B) on the top neck (E) and pull it out of the bottom neck (C) and set aside for [step 13](#).

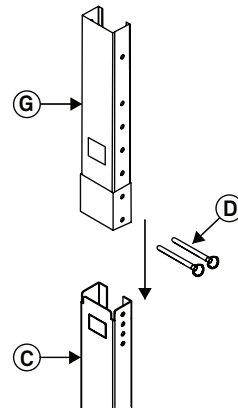
NOTE: The top neck (E) and tabletop (F) are all one piece.



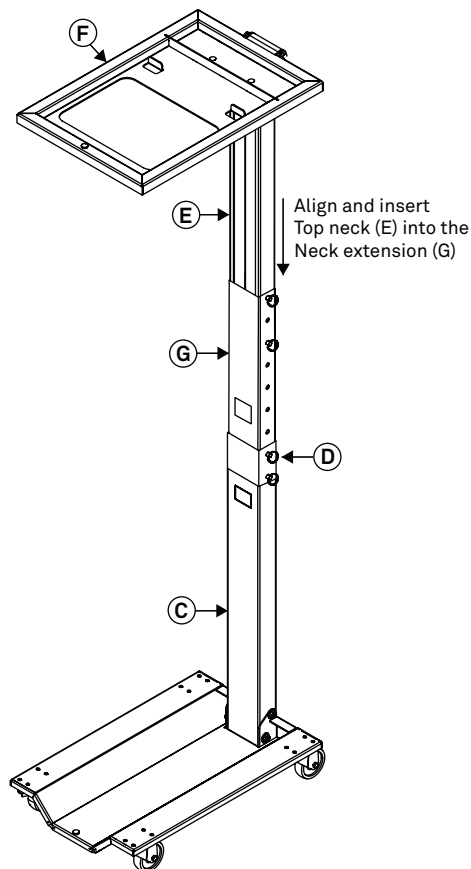
- Insert the neck extension (G) into the bottom neck (C) until it is firmly seated.

Align the neck extension (G) so it moves into the bottom neck (C) smoothly.

- Insert two neck pins (D) through aligned holes where the neck extension (G) and bottom neck (C) overlap.



- Insert the top neck (E) into the neck extension (G).



- Adjust the top neck (E) to the desired height.
- Reinsert the neck pins (D) all the way into the appropriate set of holes.

The scale cart is ready for the scale to be placed on the tabletop (F).