



METER

PYRANOMETER SOLAR RADIATION SENSOR[®]



PYRANOMETER QUICK START

Preparation

Inspect and verify components are intact. Set up and test the system (sensors and data loggers) in a lab or office. Ensure the data loggers are using up-to-date software and firmware.

Check [metergroup.com/zt6-support](https://www.metergroup.com/zt6-support) for firmware and software updates for METER Group's ZL6 data logger.

NOTE: The pyranometer sensor is analog and will not be automatically detected in ZENTRA Utility!

To avoid errors collecting data, connect the pyranometer (PYR) sensor to the data logger and the data logger to a computer.

1. Open ZENTRA Utility.
2. Go to the **Settings** window and select the **Sensor Configuration** tab.
3. Select the port number the sensor is connected to and use the drop-down menu next to **Sensor Type** to find the PYR option under **Environmental**.
4. Select the **PYR Solar Radiation** option and then select **OK**.

Installation will require:

- 31.8- to 50.8-mm (1.25- to 2.00-in) diameter mounting pole (sold separately)
- mounting bracket (sold separately)

Before beginning installation, consider the surroundings and avoid obstructions.

All products have a 30-day satisfaction guarantee.

Read the complete specifications and manual for the PYR at:

[metergroup.com/products/pyr-sensor](https://www.metergroup.com/products/pyr-sensor)

Sensor	Spectral Range	Measurement Range	Resolution
PYR	360–1,120 nm	0–1,750 W × m ²	1 W × m ²

ATTENTION

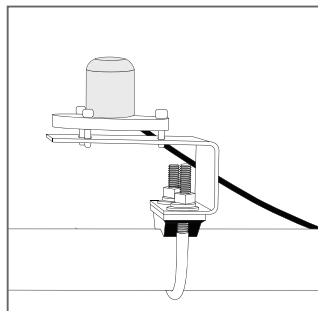
For best results, use the latest versions of METER software and firmware for the computer or mobile device, products, and sensors. Please use the software Help menu to find updates. Consult the sensor user manual for more troubleshooting tips.

Installation

1. Mount the sensor

Mount the sensor with the cable pointing toward the nearest magnetic pole.

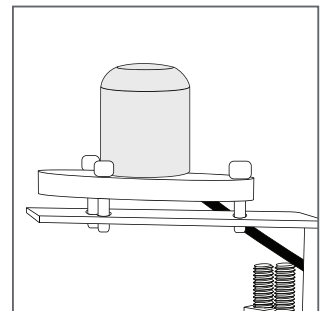
For the northern hemisphere, point the cable toward the North Pole and in the southern hemisphere to the South Pole.



2. Level the sensor

Make sure that the domed sensor body is kept horizontal.

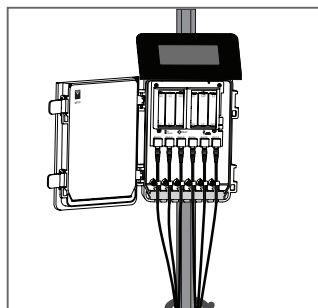
Use the leveling plate to ensure the sensor is level.



3. Connect to data logger

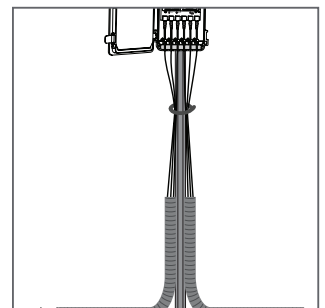
Plug the sensor cable into the data logger.

Use data logger software to apply appropriate settings to the sensors plugged into each data logger port.



4. Secure cables

Gather and secure the cables to the mounting pole in one or more places to relieve strain on the connections.



SUPPORT

Have a question or problem? Our support team can help.

We manufacture, test, calibrate, and repair every instrument in house. Our scientists and technicians use the instruments every day in our product testing lab. No matter what your question is, we have someone who can help you answer it.

NORTH AMERICA

Email: support.environment@metergroup.com
Phone: +1.509.332.5600

EUROPE

Email: support.europe@metergroup.com
Phone: +49 89 12 66 52 0