



ECRN-50 LOW-RESOLUTION RAIN GAUGE INSTALLATION INSTRUCTIONS

18302-00
2.15.2019

METER

Preparation

Inspect and verify that ECRN-50 components are intact. Installation will require a mounting pole and mounting supplies (i.e., zip ties, wire).

Set up and test the system (sensors and data loggers) in a lab or office. Ensure the data loggers are using up-to-date firmware and software. Check the following locations for firmware and software updates:

ZL6 metergroup.com/environment/products/zl6/#support
Other metergroup.com/environment/articles/buy-browse-meter-legacy-data-loggers/

Read the ECRN-50 specifications at metergroup.com/ecrn-50.

| Resolution | Volume per Tip | Rainfall per Tip |
|------------|----------------|------------------|
| 1 tip | 5.0 ml/tip | 1 mm |

All products have a 30-day satisfaction guarantee.

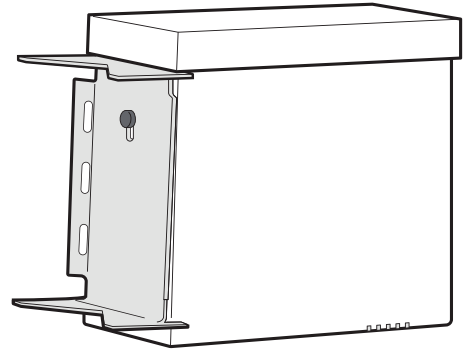
Installation

Mount the ECRN-50 so the metal back is vertical against a mounting pole at the desired height and ensure the rain gauge is level. Plug the sensor cable into the data logger. Use data logger software to apply appropriate settings to the sensors plugged into each data logger port. Relieve strain on the connections and prevent loose cabling from being inadvertently snagged by gathering and securing the cables between the ECRN-50 and the data logger to the mounting pole in one or more places.

METER Group, Inc. USA
2365 NE Hopkins Court, Pullman, WA 99163
T +1.509.332.2756 F +1.509.332.5158
E info@metergroup.com W metergroup.com

NORTH AMERICA
E support.environment@metergroup.com
T +1.509.332.5600

EUROPE
E support@metergroup.de
T +49 89 12 66 52 0



ECRN-50 LOW-RESOLUTION RAIN GAUGE INSTALLATION INSTRUCTIONS

18302-00
2.15.2019

METER

Preparation

Inspect and verify that ECRN-50 components are intact. Installation will require a mounting pole and mounting supplies (i.e., zip ties, wire).

Set up and test the system (sensors and data loggers) in a lab or office. Ensure the data loggers are using up-to-date firmware and software. Check the following locations for firmware and software updates:

ZL6 metergroup.com/environment/products/zl6/#support
Other metergroup.com/environment/articles/buy-browse-meter-legacy-data-loggers/

Read the ECRN-50 specifications at metergroup.com/ecrn-50.

| Resolution | Volume per Tip | Rainfall per Tip |
|------------|----------------|------------------|
| 1 tip | 5.0 ml/tip | 1 mm |

All products have a 30-day satisfaction guarantee.

Installation

Mount the ECRN-50 so the metal back is vertical against a mounting pole at the desired height and ensure the rain gauge is level. Plug the sensor cable into the data logger. Use data logger software to apply appropriate settings to the sensors plugged into each data logger port. Relieve strain on the connections and prevent loose cabling from being inadvertently snagged by gathering and securing the cables between the ECRN-50 and the data logger to the mounting pole in one or more places.

METER Group, Inc. USA
2365 NE Hopkins Court, Pullman, WA 99163
T +1.509.332.2756 F +1.509.332.5158
E info@metergroup.com W metergroup.com

NORTH AMERICA
E support.environment@metergroup.com
T +1.509.332.5600

EUROPE
E support@metergroup.de
T +49 89 12 66 52 0

