

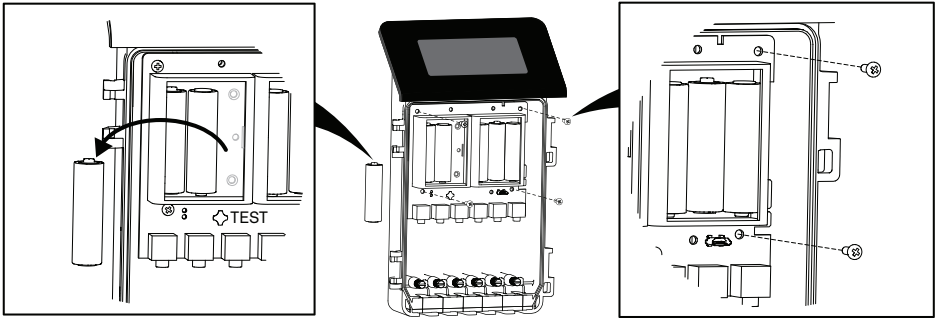
Replace the ZL6 Wi-Fi board if it malfunctions or needs to be upgraded. These step-by-step instructions will explain the replacement process. A #1 Phillips screwdriver and a wooden stick (included) is required for installation.

NOTE: Update the logger firmware to the latest version to ensure the new communication board is fully supported. Using ZENTRA Utility Mobile go to Device Tools and select Update Device Firmware and for ZENTRA Utility go to the Help menu and select Check for Logger Firmware Updates.

ACCESS COMMUNICATION BOARD

⚠ CAUTION: Do not disconnect the solar panel wiring.

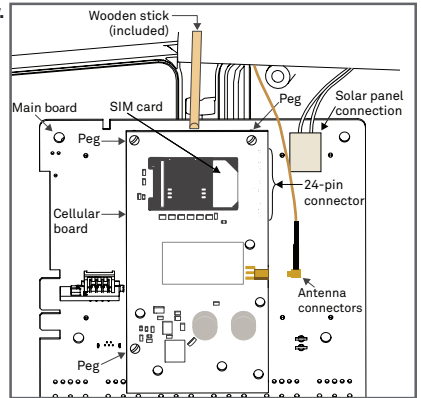
1. Remove a battery to turn off the ZL6.
2. Press the **TEST** button to clear power in the logger.
3. Remove the four screws from the main board using a Phillips screwdriver.
4. Carefully lift up the main board and rotate over to expose the underside.



REMOVE EXISTING COMMUNICATION BOARD

NOTE: The appearance of the communication board may vary. Removal is the same even with different versions.

5. If the original communication board has an antenna connection, disconnect the antenna by pulling the connector straight out away from the communication board.
6. Place the wooden stick (included) under the communication board as shown in the image below.
7. Use the wooden stick to carefully pry the board off the white pegs that hold it on the main board.
8. Place fingers on the outer edge of the board and lift up and off the remaining pegs.

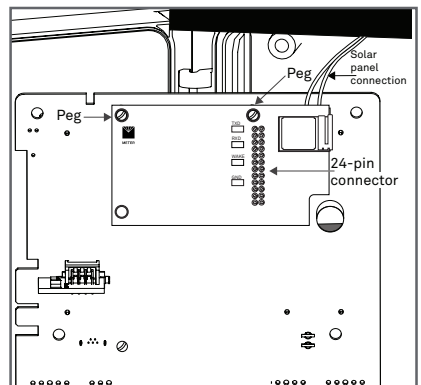


INSERT NEW WI-FI BOARD

9. Position the new board over the main board and line the upper mounting holes up with the white pegs.

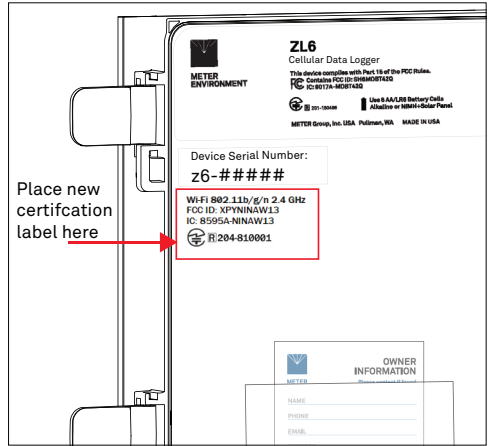
NOTE: The Wi-Fi communication board included in this kit may vary in appearance. Illustration is an approximation.

10. Align the 24-pin connector to ensure none of the pins are bent.
11. Press straight down on the board until the 24-pin connectors mate and both pegs audibly click into place.



RETURN MAIN BOARD TO ORIGINAL POSITION

- Carefully lift the main board up and rotate over so batteries are visible.
- Align the board over the mounting posts.
- Replace the screws.
- Replace the removed battery.
- Place new certification label on the inside of the ZL6 case.



UPDATE ZL6 CONFIGURATION

- Use ZENTRA Utility Mobile terminal to send the command that updates the ZL6 communications configuration to use Wi-Fi hardware.

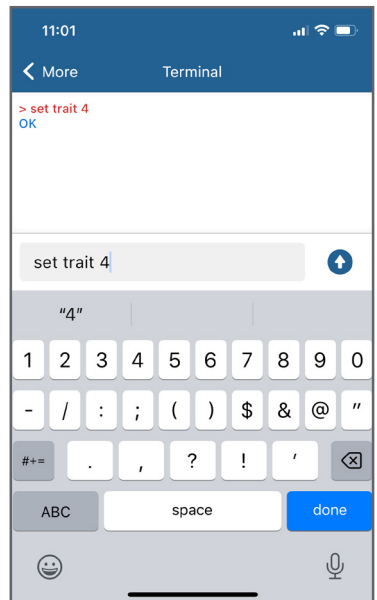
Start by connecting to the ZL6 with ZENTRA Utility Mobile.

NOTE: If the Wi-Fi board is replacing an existing Wi-Fi board, this configuration step is not necessary. Switching from cellular communication to Wi-Fi networking requires this step.

- Tap the **More** menu then **Device Tools** and select **Terminal**.
- Type, **set trait 4**, in the command area and tap the send button.
- Look for the logger to respond with OK in the terminal area of the window.
- Tap the **Device** button on the lower left of the toolbar.
- It is necessary for the software to disconnect and reconnect to the ZL6 for these changes to take effect. To disconnect, tap the disconnect button in the upper left corner.
- Reconnect to the ZL6 from the connect screen.
- Once reconnected to the ZL6, follow the Quick Start instructions for configuring the logger to join the Wi-Fi network.



<https://meter.ly/wifi-qs>



- Use the **TEST** toolbar button in ZENTRA Utility Mobile or ZENTRA Utility to test the connection to ZENTRA Cloud.

METER Group, Inc.
E info@metergroup.com
W metergroup.com

EUROPE
E support.europe@metergroup.com
T +49 89 12 66 52 0

NORTH AMERICA
E support.environment@metergroup.com
T +1.509.332.5600