



METER

ZL6 Reference Barometer Sensor Replacement

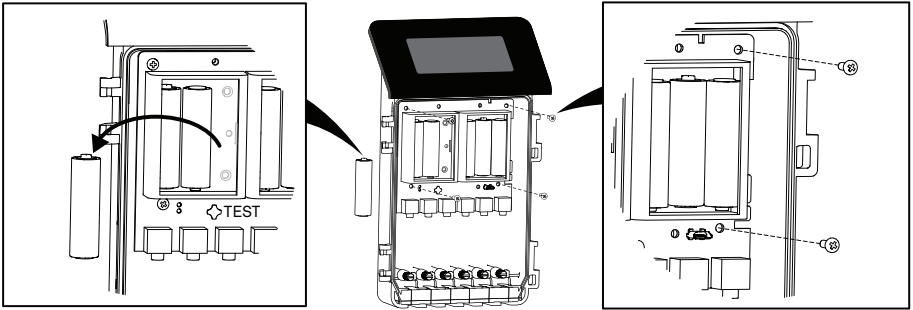
18317-00
5.15.2019

The reference barometer sensor in the ZL6 data logger should be replaced if it malfunctions or if it needs to be calibrated. These step-by-step instructions will explain the replacement process. A #1 Phillips screwdriver is required for installation.

ACCESS REFERENCE BAROMETER SENSOR

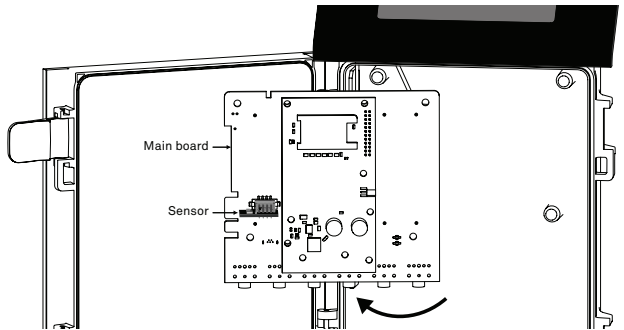
CAUTION: Do not disconnect any wiring.

1. Remove a battery to turn off the ZL6, and press TEST button to clear power in logger.
2. Remove the four screws from the main board using a Phillips screwdriver.



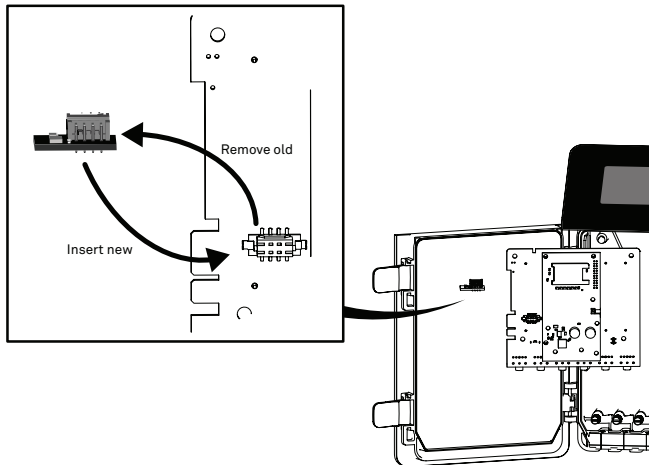
3. Carefully lift up the main board and rotate over to expose the underside.

NOTE: No need to disconnect the antenna.



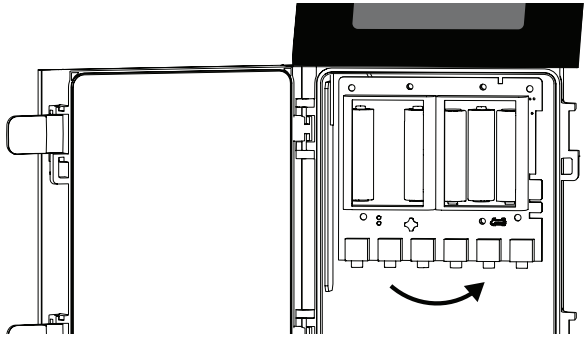
REMOVE AND REPLACE SENSOR

4. Lifting straight up, remove the existing sensor and discard.
5. Pressing straight down, insert the new sensor into the daughterboard connector.

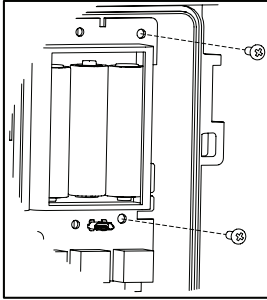


RETURN MAIN BOARD TO ORIGINAL POSITION

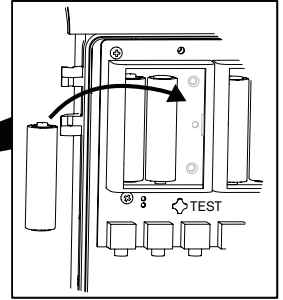
6. Carefully lift the main board up and rotate over so batteries are visible.



7. Replace the screws.



8. Replace the removed battery.



9. Connect to the logger and check ZENTRA Utility to ensure barometer and temperature readings are available. Press the TEST button on the ZL6 to reset the logger if the readings do not appear.

CUSTOMER SERVICE

NORTH AMERICA

Customer service representatives are available for questions, problems, or feedback Monday through Friday, 7:00 am to 5:00 pm Pacific time.

Email: support.environment@metergroup.com
sales.environment@metergroup.com

Phone: +1.509.332.5600

Fax: +1.509.332.5158

Website: metergroup.com

EUROPE

Customer service representatives are available for questions, problems, or feedback Monday through Friday, 8:00 to 17:00 Central European time.

Email: support@metergroup.de
sales@metergroup.de

Phone: +49 89 12 66 52 0

Fax: +49 89 12 66 52 20

Website: metergroup.de

If contacting METER by email, please include the following information:

Name	Email address	Instrument serial number
Address	Phone	Description of the problem

NOTE: For products purchased through a distributor, please contact distributor directly for assistance.